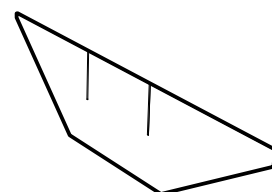
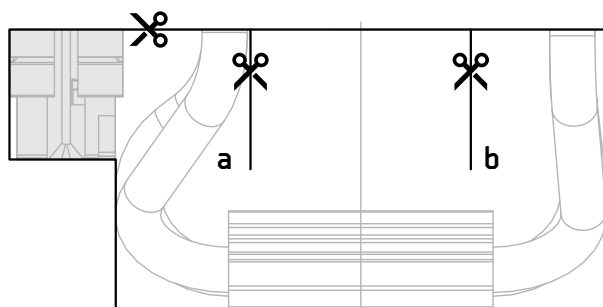
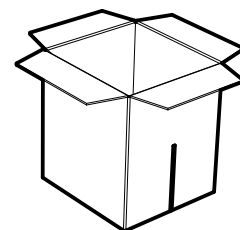
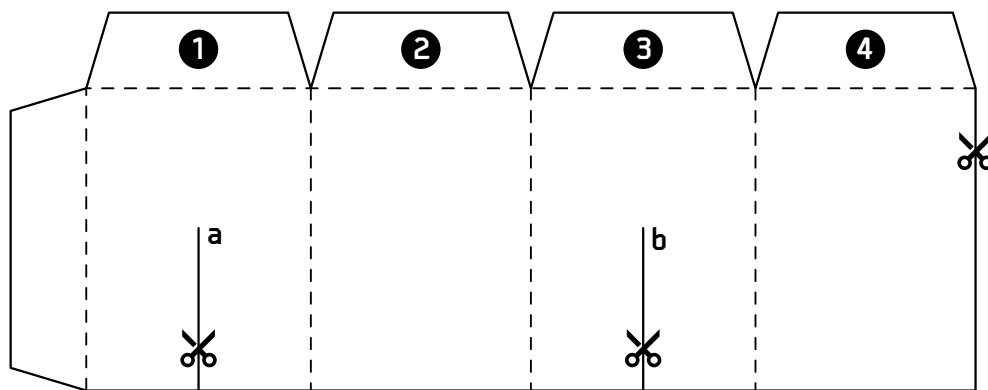
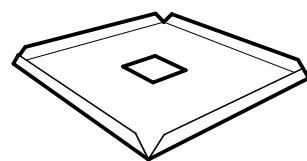
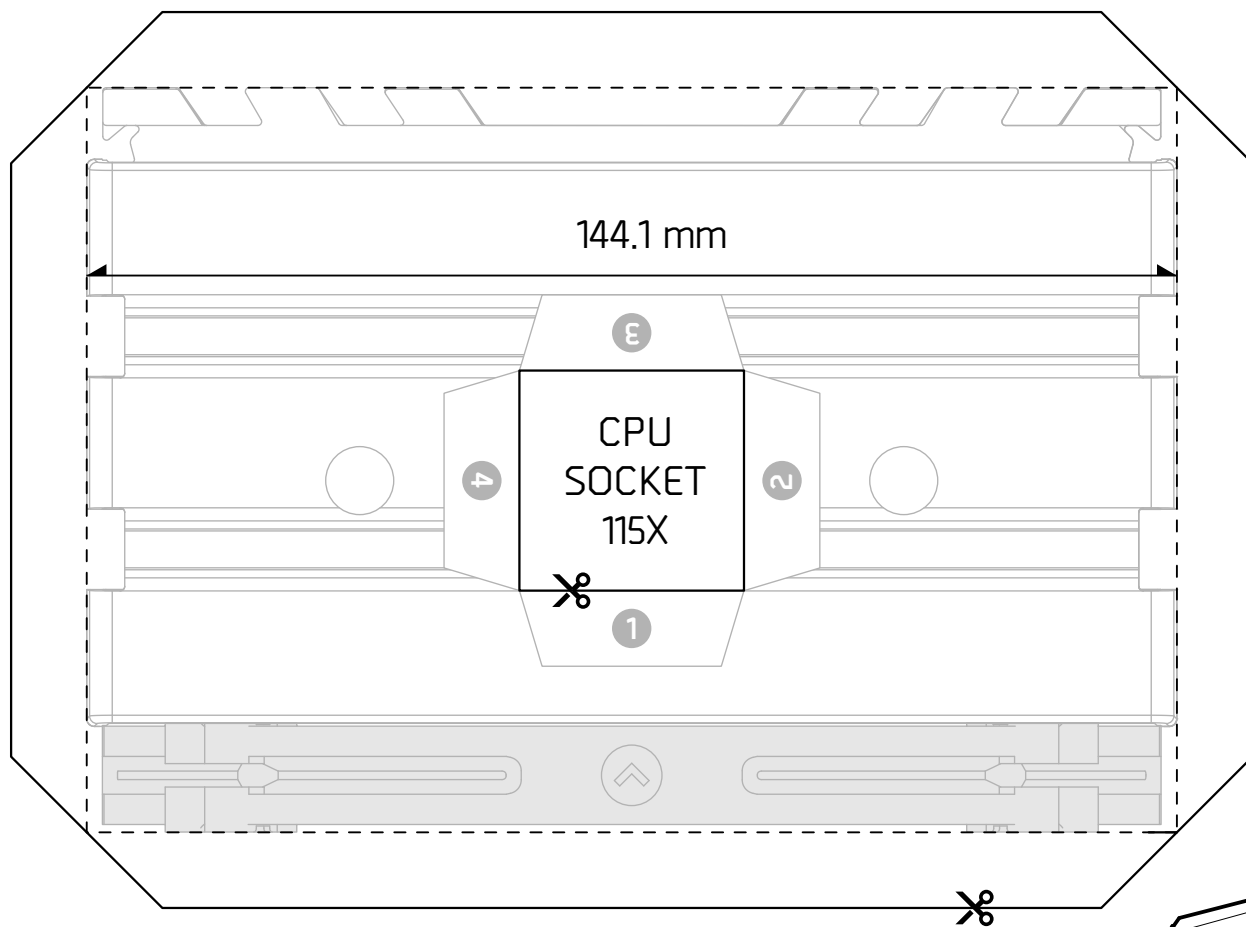


# H5 UNIVERSAL COMPATIBILITY TESTER

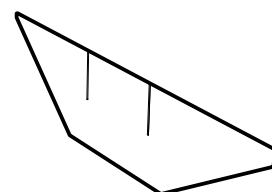
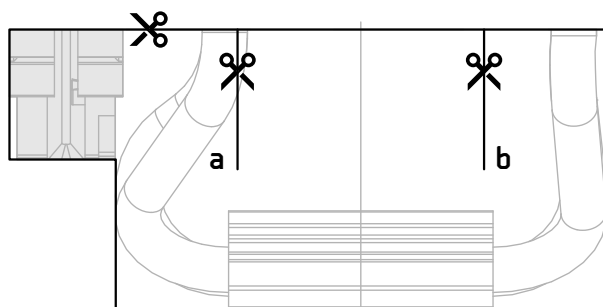
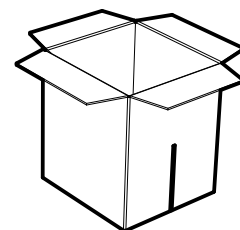
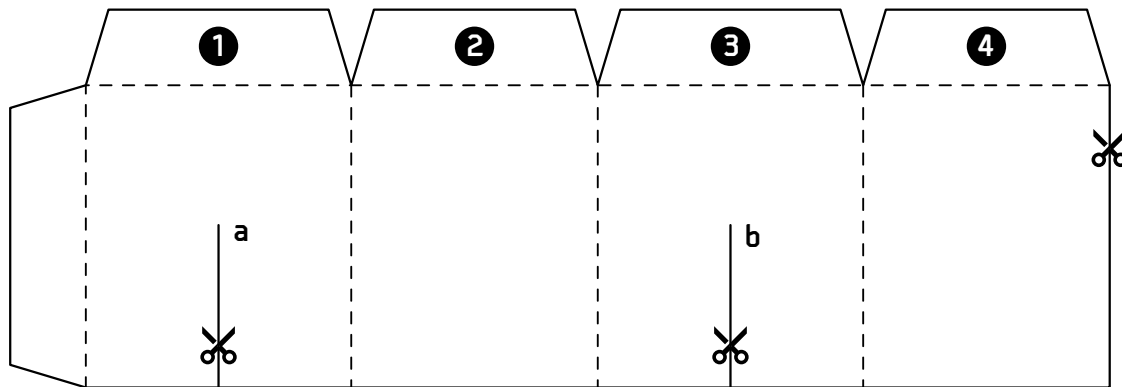
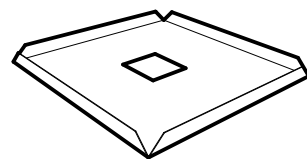
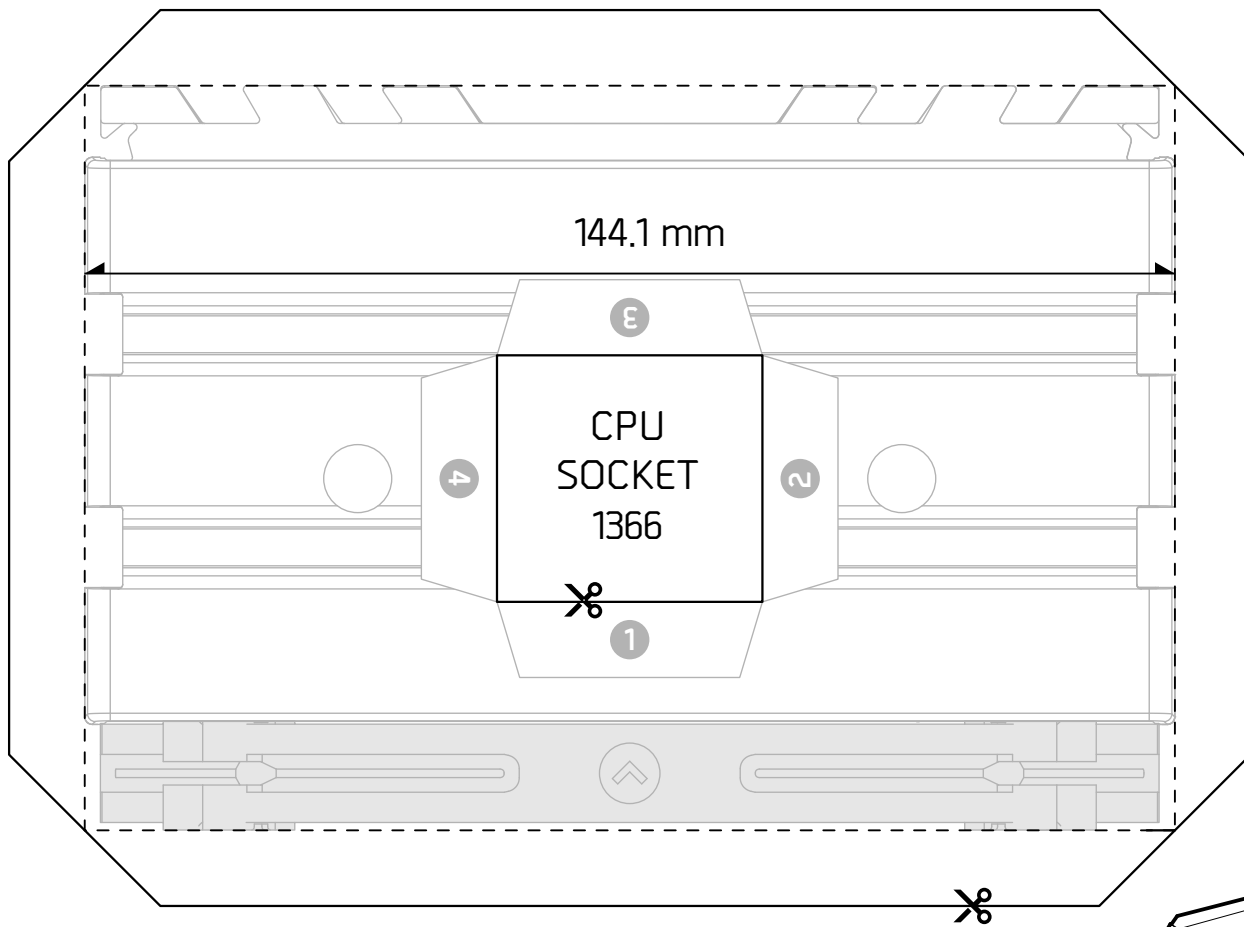


Scale Check Zone :  3 cm  3 inch



CHECK IF YOUR PRINT IS TRUE TO SIZE WITH THE SCALE CHECK. WITH A RULER, CHECK IF THE TWO LINES ARE 3CM AND 3 INCHES AS INDICATED.

# H5 UNIVERSAL COMPATIBILITY TESTER

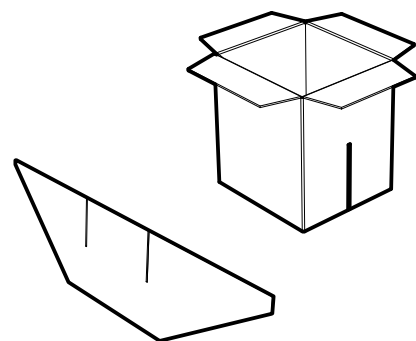
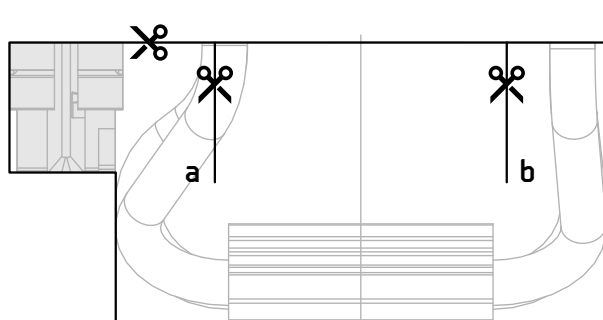
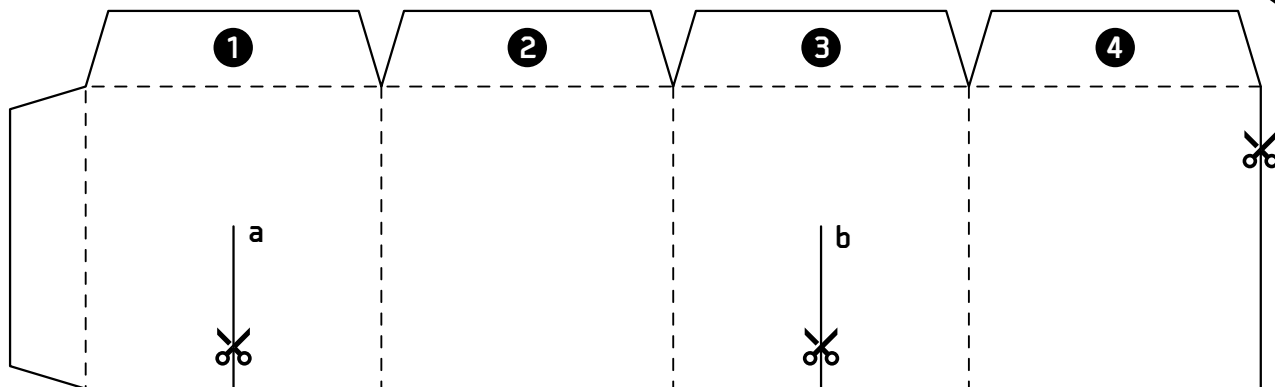
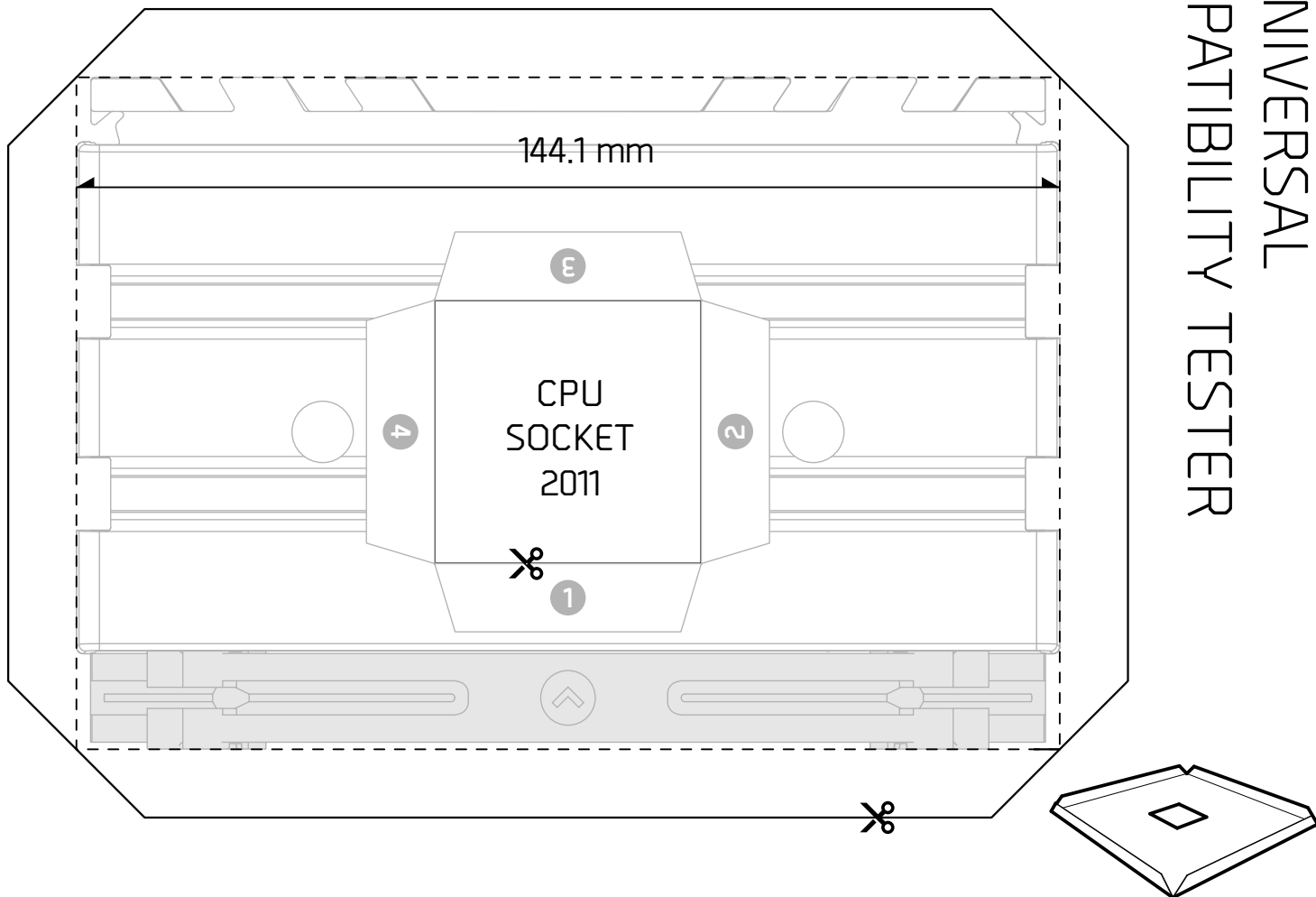


Scale Check Zone :  3 cm  3 inch



CHECK IF YOUR PRINT IS TRUE TO SIZE WITH THE SCALE CHECK. WITH A RULER, CHECK IF THE TWO LINES ARE 3CM AND 3 INCHES AS INDICATED.

# H5 UNIVERSAL COMPATIBILITY TESTER

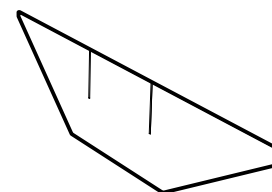
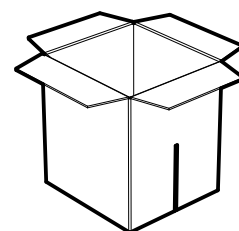
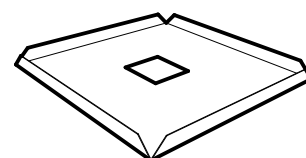
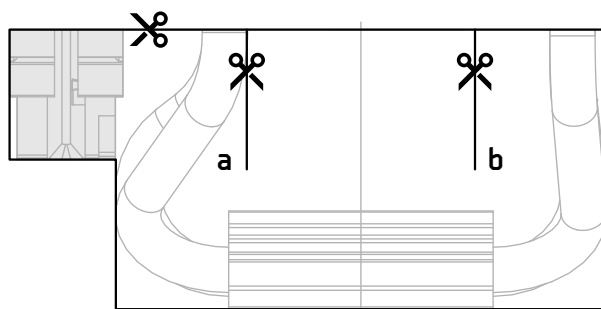
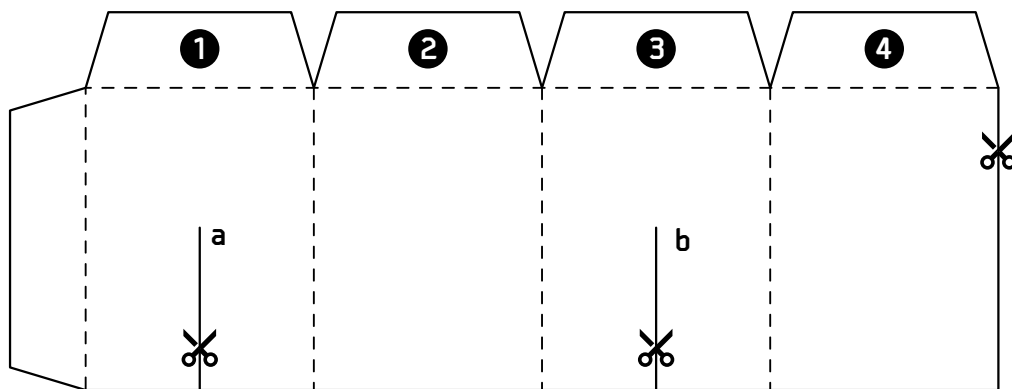
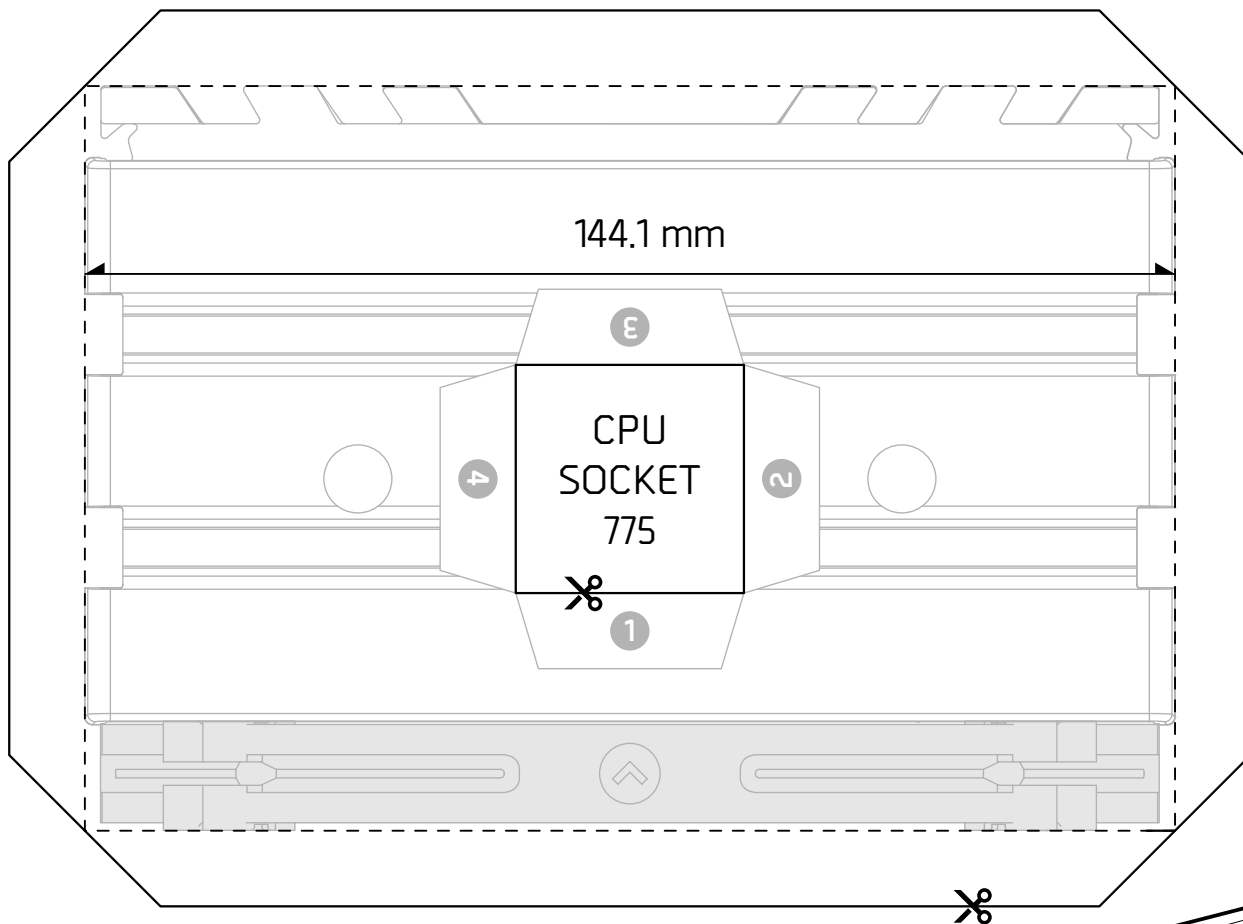


Scale Check Zone :  3 cm  3 inch



CHECK IF YOUR PRINT IS TRUE TO SIZE WITH THE SCALE CHECK. WITH A RULER, CHECK IF THE TWO LINES ARE 3CM AND 3 INCHES AS INDICATED.

# H5 UNIVERSAL COMPATIBILITY TESTER



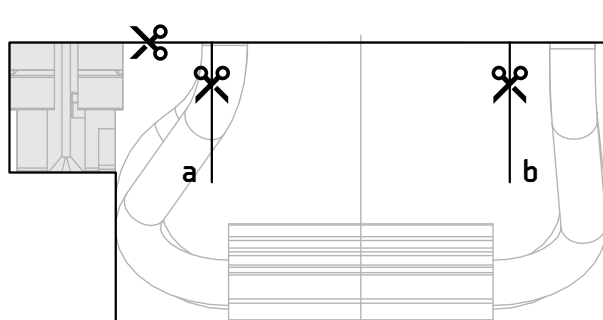
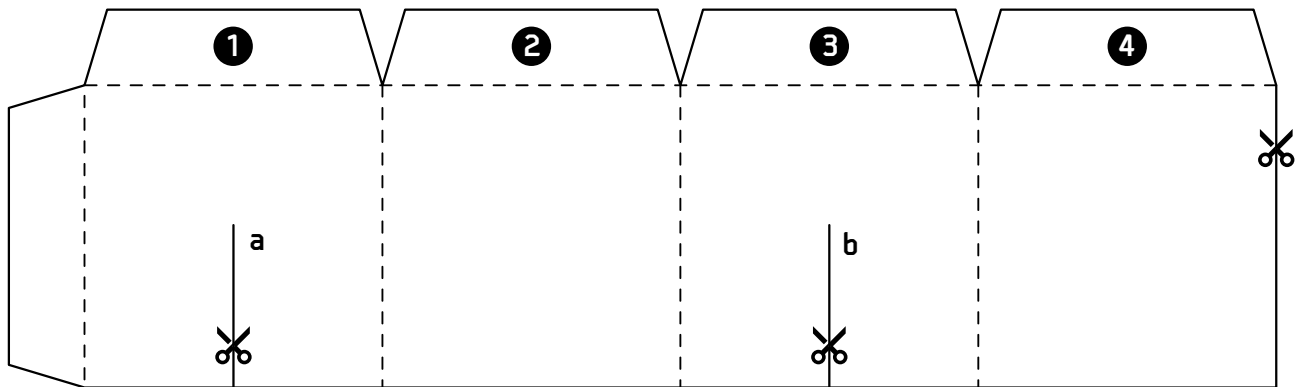
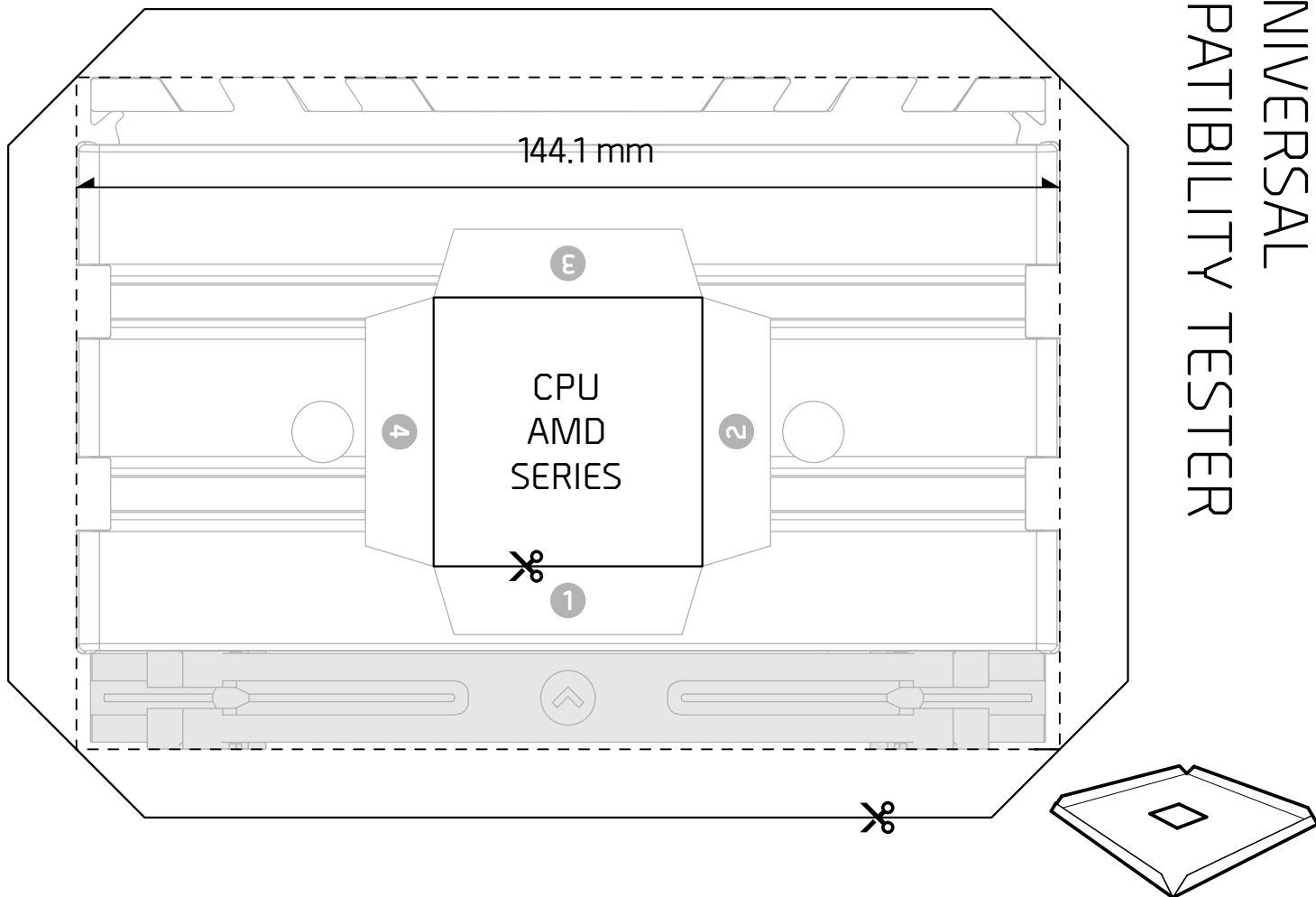
3 inch

Scale Check Zone : 



CHECK IF YOUR PRINT IS TRUE TO SIZE WITH THE SCALE CHECK. WITH A RULER, CHECK IF THE TWO LINES ARE 3CM AND 3 INCHES AS INDICATED.

# H5 UNIVERSAL COMPATIBILITY TESTER



Scale Check Zone :  3 cm  3 inch



CHECK IF YOUR PRINT IS TRUE TO SIZE WITH THE SCALE CHECK. WITH A RULER, CHECK IF THE TWO LINES ARE 3CM AND 3 INCHES AS INDICATED.